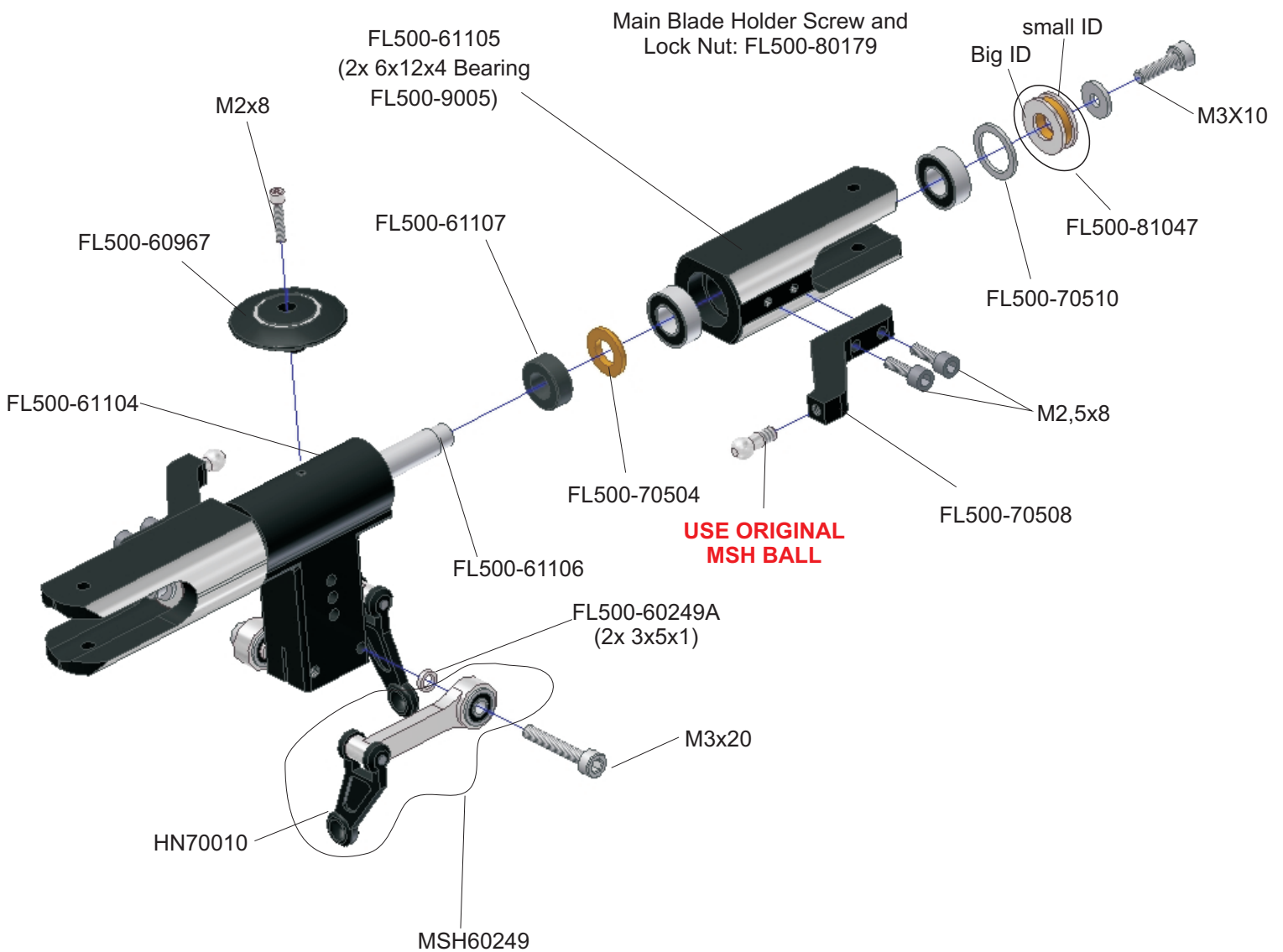


## MSH 500 FBL Head Kit



All Screws should be fix with Threadlock.  
 On Thrust bearings need apply grease.