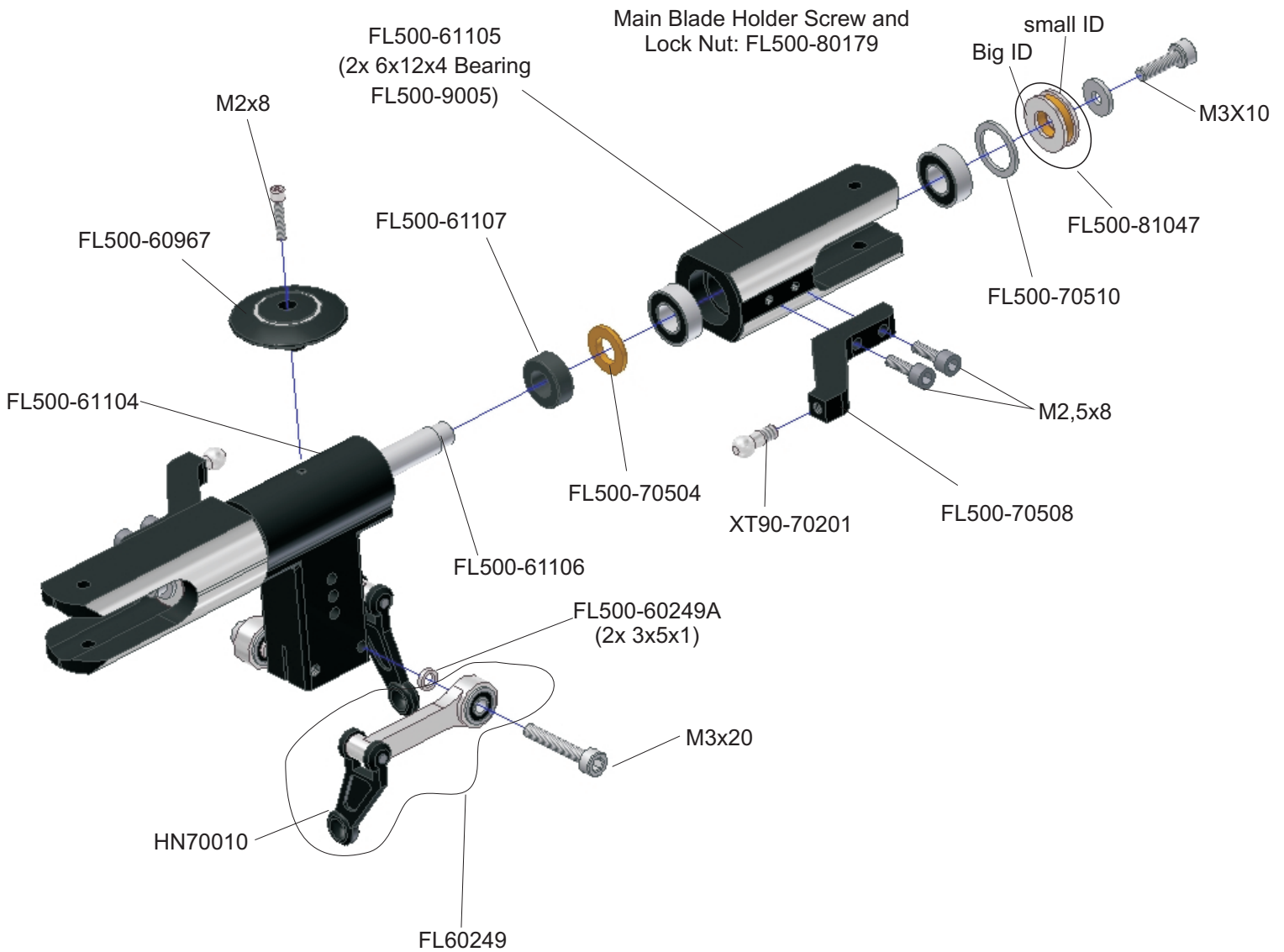


500 FBL Head Kit



All Screws should be fix with Threadlock.
 On Thrust bearings need apply grease.